

ULTRATREX AT50ER / AT50ERPS



CER NO : TUV-100-01-2043
ISO 9001 : 2015

INTRODUCTION

The UltraTrex Amphibious Excavator is designed to travel and operate safely and efficiently on soft terrain such as swamps, wetlands, and shallow waters. Its well-engineered amphibious hydraulic undercarriage provides ultra-low ground pressure and exceptional mobility, making it ideal for soft terrain and swamp applications. We manufacture amphibious hydraulic undercarriages for excavators ranging from 15 to 50 tons.

FEATURES

TRACK PLATES

- Made from Ultra High Molecular Weight Polyethylene (UHMWPE)
- High strength and quality material
- 10000 hours warranty

GEAR RACK SPUD

- High precision gear rack teeth and pitch
- Robust design for enhanced stabilization when digging in deeper water

TENSIONER SYSTEM

- Easier chain tensioning method only need to tighten or loosen the bolt to set the track tension
- Withstanding heavy loads during operation

AMPHIBIOUS UNDERCARRIAGE CONSTRUCTION

- Anti corrosion plate (SMA 490)
- 3 independent water compartments
- Reinforce at bottom area

AMPHIBIOUS UNDERCARRIAGE HYDROSTATIC DRIVE

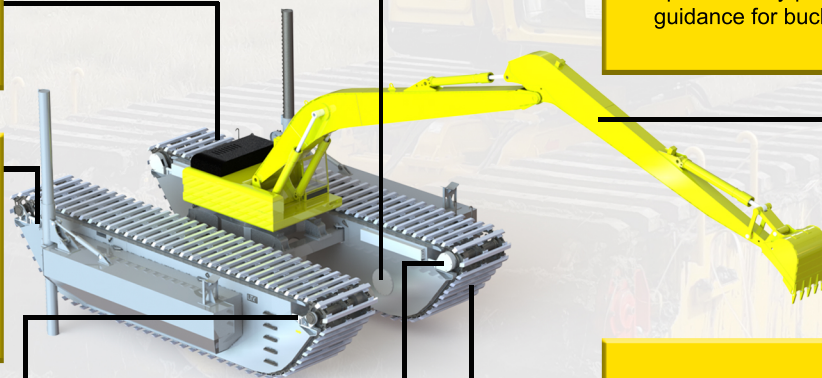
- Brand: Nabtesco
- Origin: Japan
- Integrated hydraulic 2-speed motors
- Output torque: 570 kgfm

OPTIONAL FEATURES

- XTILT (Tilting Safety Sensor)
- Designed to enhance excavator operations by providing real-time guidance for bucket positioning

TRACK CHAINS

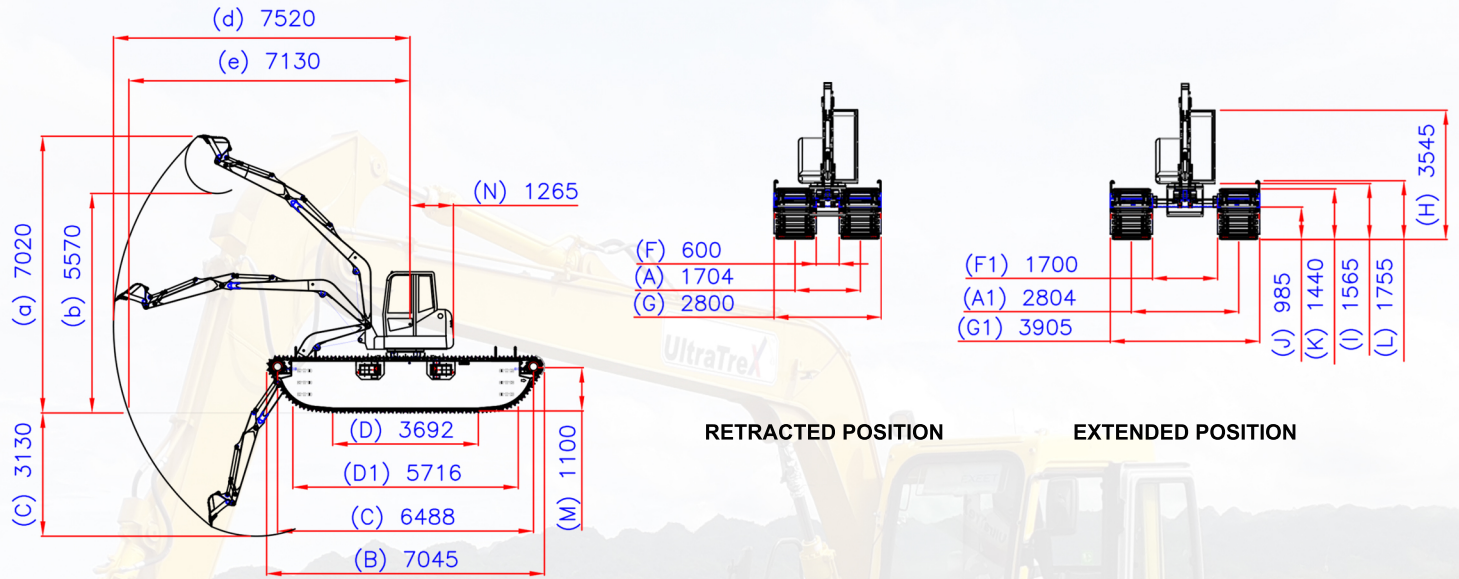
- Double strands
- Track chain pitch : 152.4 mm
- Running on 10mm Hardox AR400 wear plate



APPLICATIONS

- Swamp land clearing for mining, plantations and forest areas
- Deepening of canals, river channels and river mouths
- Building bunds for flood prevention and land reclamation
- Sludge removal from lakes, ponds and water reservoirs
- Digging trenches for oil and gas pipeline installations
- Transporting and clearing landslides and flood hit areas
- Swamp and wetland construction
- Road constructions through wetlands

AT50ER TECHNICAL SPECIFICATIONS



RETRACTED POSITION

EXTENDED POSITION

GENERAL SPECIFICATIONS	
Base Machine	5 - 6 Ton Excavator
Total Weight	11000 kg
Floating Capacity	14 m ³
Floating Capacity/Total Weight	Without Side Pontoon 1.27 m ³ /ton
Maximum Torque Motor	570 kgf-m
Ground Pressure	0.11 kg/cm ²
Maximum Gradient	30 °

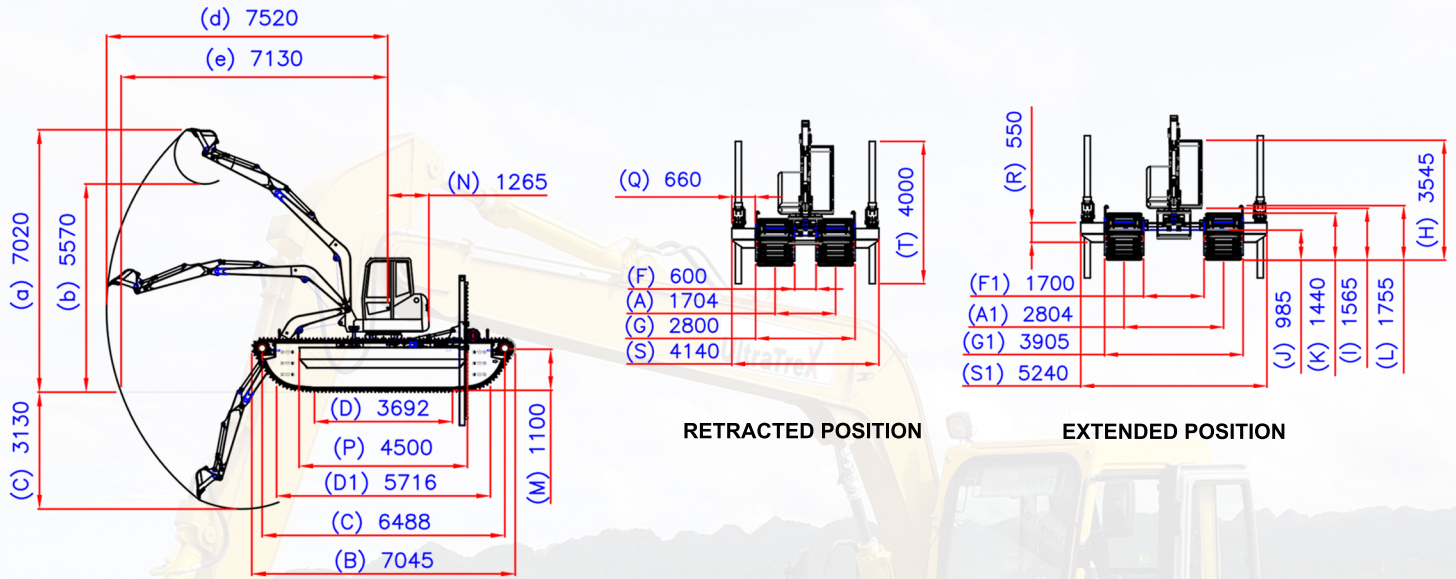
WORK EQUIPMENT	
Boom Length	3850 mm
Arm Length	2000 mm
Bucket Capacity	0.12 m ³

WORKING RANGES	
a. Maximum Digging Height	7020 mm
b. Maximum Dumping Height	5570 mm
c. Maximum Digging Depth	3130 mm
d. Maximum Digging Reach	7520 mm
e. Maximum Digging Reach On Ground	7130 mm

*Dimensions are based on a 6.5m Long Reach Arm and 0.12m³ General Purpose Bucket
 Retracted Position - For transportation purpose
 Extended Position - For operating purpose

DIMENSIONS	
A. Track Gauge (Fully Retracted)	1704 mm
A1. Track Gauge (Fully Extended)	2804 mm
B. Track Length	7045 mm
C. Distance Between Idler And Sprocket	6488 mm
D. Track Length On Hard Ground	3692 mm
D1. Track Length On Soft Ground	5710 mm
E. Width Float	1100 mm
F. Distance Between Shoe Inside (Fully Retracted)	600 mm
F1. Distance Between Shoe Inside (Fully Extended)	1700 mm
G. Overall Machine Floating Width (Fully Retracted)	2800 mm
G1. Overall Machine Floating Width (Fully Extended)	3905 mm
H. Overall Machine Height	3545 mm
I. Ground Clearance (Counterweight)	1565 mm
J. Minimum Ground Clearance	985 mm
K. Shoe Setting Height	1440 mm
L. Crawler Height	1755 mm
M. Water Line Height	1100 mm
N. Minimum Swing Radius	1265 mm

AT50ERPS TECHNICAL SPECIFICATIONS



GENERAL SPECIFICATIONS	
Base Machine	5 - 6 Ton Excavator
Total Weight	11000 kg
Floating Capacity	14 m3
Floating Capacity/Total Weight	Without Side Pontoon 1.27 m3/ton
Maximum Torque Motor	570 kgf-m
Ground Pressure	0.11 kg/cm2
Maximum Gradient	30 °

WORK EQUIPMENT	
Boom Length	3850 mm
Arm Length	2000 mm
Bucket Capacity	0.12 m3

WORKING RANGES	
a. Maximum Digging Height	7020 mm
b. Maximum Dumping Height	5570 mm
c. Maximum Digging Depth	3130 mm
d. Maximum Digging Reach	7520 mm
e. Maximum Digging Reach On Ground	7130 mm

*Dimensions are based on a 6.5m Long Reach Arm and 0.12m3 General Purpose Bucket
 Retracted Position - For transportation purposes
 Extended Position - For operating purposes

DIMENSIONS	
A. Track Gauge (Fully Retracted)	1704 mm
A1. Track Gauge (Fully Extended)	2804 mm
B. Track Length	7045 mm
C. Distance Between Idler And Sprocket	6488 mm
D. Track Length On Hard Ground	3692 mm
D1. Track Length On Soft Ground	5716 mm
E. Width Float	1100 mm
F. Distance Between Shoe Inside (Fully Retracted)	600 mm
F1. Distance Between Shoe Inside (Fully Extended)	1700 mm
G. Overall Machine Floating Width (Fully Retracted)	2800 mm
G1. Overall Machine Floating Width (Fully Extended)	3905 mm
H. Overall Machine Height	3545 mm
I. Ground Clearance (Counterweight)	1565 mm
J. Minimum Ground Clearance	985 mm
K. Shoe Setting Height	1440 mm
L. Crawler Height	1755 mm
M. Water Line Height	1100 mm
N. Minimum Swing Radius	1265 mm

ADDITIONAL DIMENSIONS (SIDE PONTOON)	
P. Side Pontoon Length	4500 mm
Q. Side Pontoon Width	660 mm
R. Side Pontoon Height	550 mm
S. Overall Machine Width (Fully Retracted)	4140 mm
S1. Overall Machine Width (Fully Extended)	5240 mm
T. Spud Length	4000 mm

ULTRATREX AT50ER/AT50ERPS



GALLERY



**UTX, YOUR TRUSTED PARTNER
IN DREDGING & ENVIRONMENTAL CONTROL SOLUTIONS**



CER NO : TUV 100-01-2043
ISO 9001 : 2015



For more information on Ultratrex products, dredging,
and environmental control solutions, visit our website at
www.amphibiosexcavator.com

Materials and specifications are subject to change without notice.
The brochure may feature additional equipment.
Contact your Ultratrex dealer for available options.



ULTRATREX MACHINERY SDN. BHD.

PLO 229, Jalan Kencana Mas 2, Kawasan Perindustrian Tebrau 3,
81100 Johor Bahru, Johor, Malaysia

Tel : +607-355 7777

Fax : +607-351 0229

Email : marketing@ultratrex.com.my